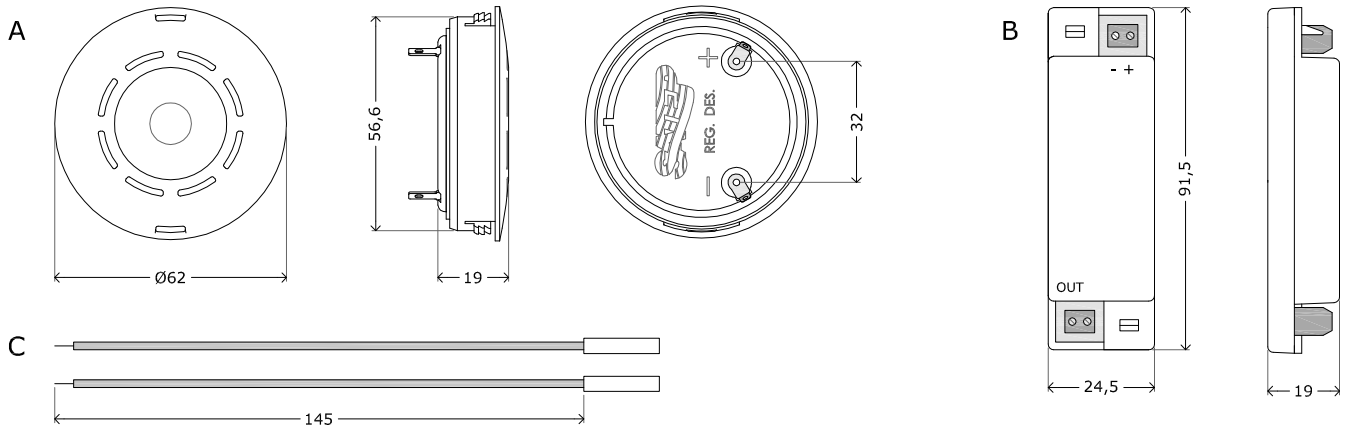




ISO 9001 CERTIFIED

MARY T

piezoelectric internal siren



all data in mm
1:2

A - piezoelectric speaker MARY
B - case with electronic board MARY
C - cables with faston terminals for connection A-B

Protection against reverse polarity.
the product conforms to EC directives
the declaration of conformity is available on our website.

SPECIFICATIONS

POWER SUPPLY	8-15Vdc
MAX ABSORPTION	40 mA
dB(A)/12,5V/1m	105 dB(A)
OPERATING TEMP. RANGE	+5 +40°C
CASING MATERIAL	ABS
COLOUR	WHITE
NET WEIGHT	54g
SPEAKER DIMENSIONS	Ø62x19 mm
CASE DIMENSIONS	28,5x91,5x19 mm
MOUNTING HOLE DIMENSION	Ø57±0,5 mm (2¼ in)
IP RATING	IP40
OPTIONS	SQUARE VERSION (MARY Q)

SHIPPING

MASTER CARTON QUANTITY	38 pcs
PACKAGING	BOX 330x230x250 mm