



Compact design delivering up to 120dB the Symphoni High Output provides an ideal solution to your signalling challenges. Producing levels of up to 120dB(A) this sounder can be used in open areas or in situations having higher than normal background noise levels. Despite its high output the unit is efficient and offers relatively low current consumption.

An IP66 rated WP version is also available.

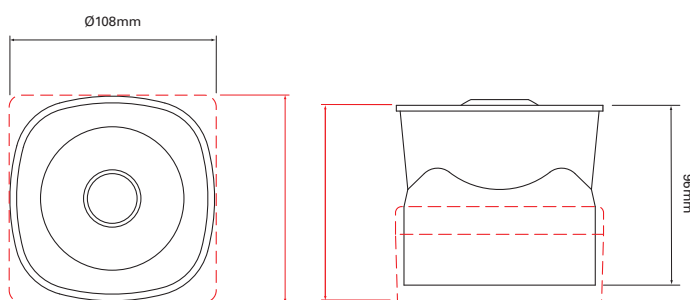
**Features**

- High output up to 120dB(A)
- Two stage alarm
- 32 tones (user selectable)
- Weatherproof option

**Benefits**

- Ideal for high noise environments
- Alert and alarm function
- 6 tones certified for fire use
- Suitable for outdoor use

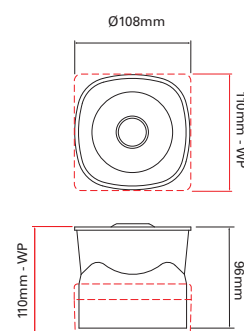
**Dimensions**



**Technical Specification**

<b>Voltage</b>	18 - 28Vdc
<b>Current</b>	240mA (Typical Tone 3)
<b>Sound Output</b>	114dB(A) (Typical Tone 3) 120dB(A) (Typical Tone 6)
<b>Tones</b>	32
<b>Volume Control</b>	20dB
<b>Monitoring</b>	Reverse polarity
<b>Temperature</b>	- 10°C to + 55°C - 25°C to + 70°C (WP)
<b>Protection</b>	IP21C, IP66 (WP)
<b>Construction</b>	ABS, PC lens
<b>Weight</b>	0.58Kg, 0.68Kg (WP)
<b>Colours</b>	Red or white

WP version white



**Catalogue Numbers**

Reference	Cat No	Description
SY/HO/R	651004FULL-0009X	Symphoni High Output Sounder, Red Body
SY/HO/W1	651003FULL-0008X	Symphoni High Output Sounder, White Body
SYHO/R/IP	651012FULL-0057X	Symphoni High Output Sounder, Red Body, IP66 Version
SYHO/GW/IP	650022FULL-1029X	Symphoni High Output Sounder, White Body, WP IP66 Version

