



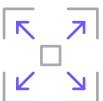
# QUAD



Multisensor security camera for flexible coverage



Easy to install and manage with simple onboarding



Dynamic resolution up to 5MP on all four sensors



Built-in AI video and audio analytics and on-device storage



Factory-installed certificates backed by a trusted platform module (TPM)



NDA-compliant: designed and developed in Norway and the UK, manufactured in Taiwan

**Image sensor**

4 x 5MP

**Image sensor size format**

1/2.7"

**Lens**

Focal length: 3.7 ~ 7.7 mm

Aperture: *f*/1.9-*f*/2.9

Remote zoom and focus

P-iris

**IR night vision**

Automatic night mode

IR-cut filter

Individually controlled IR LEDs

850 nm IR LED

**Field of view**

81° ~ 39° Horizontal

60° ~ 29° Vertical

**Maximum resolution & Frame rate**

2592x1944@30fps per sensor

**Dynamic range**

Multi-exposure line-based HDR

**Video compression**

H.265, H.264, Motion JPEG

**Audio**

Microphone

Audio classification

**Security**

Trusted Platform Module (TPM 2.0),

Factory installed certificates,

No default passwords,

Mandatory access authentication,

HTTPS/TLS encryption

**Network protocols**

IPv4, HTTPS, TLS, DNS, mDNS, DNS-SD, NTP,  
RTSP, RTP, RTCP, ICMP, DHCP, ARP

Streaming: RTP/UDP, RTP/RTSP/HTTPS/TCP

**Power source**

IEEE 802.3at PoE Class 4 (PoE+)

**Power consumption**

Max: 25.5W

**Storage**

MicroSD, SDXC UHS-I

**Connection**

802.3ab 10/100/1000 Gigabit Ethernet

**Impact resistance**

IK10 (IEC/EN 62262)

**Ingress protection**

IP66 (IEC/EN 60529)

**Temperature**

Storage & Operating: -40C to +60C\*

\*IR not available > 50°C

**Physical characteristics**

Dimensions: Ø 275x118 mm

Weight: 2.7 kg

Body: Aluminum

**EMC**

CE (EN55032 Class A)

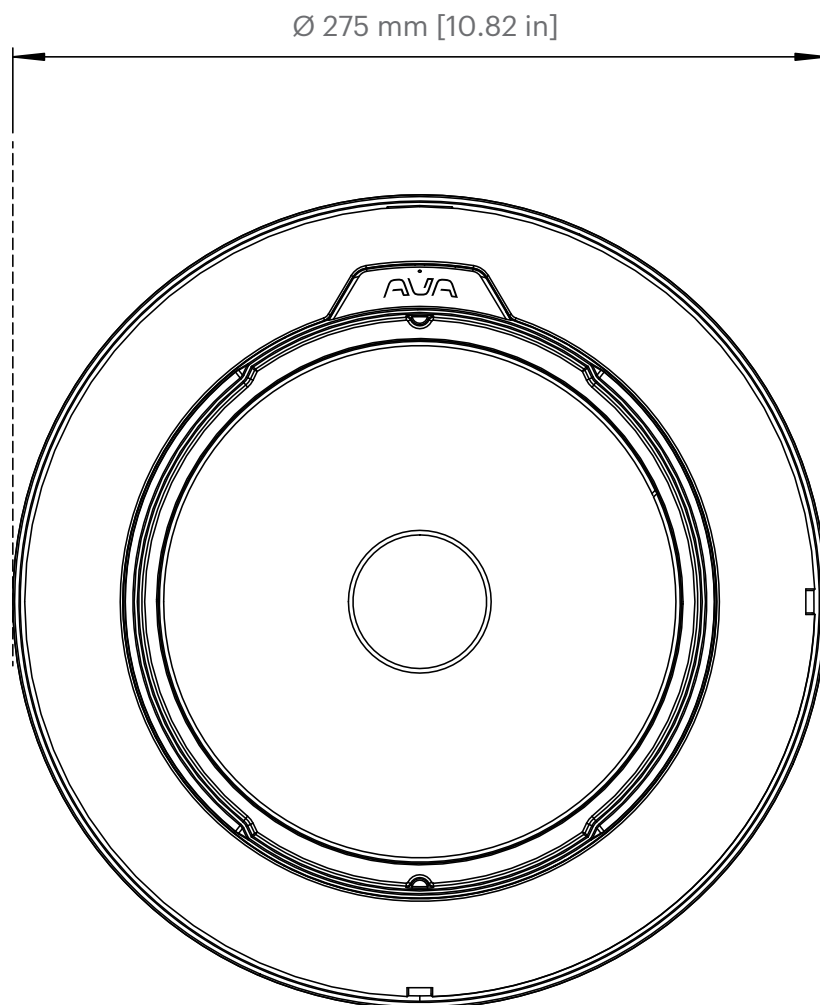
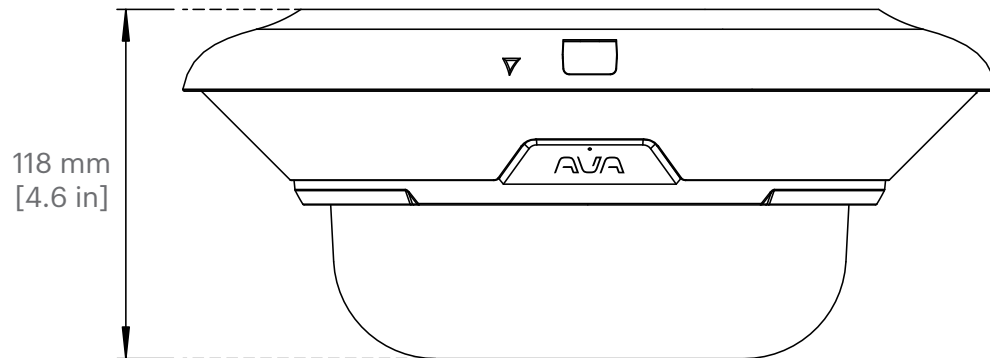
FCC (FCC Part 15 B Class A)

**Safety**

UL (UL 62368-1), CB (IEC/ EN 62368-1,

IEC/EN 60950-22, IEC/EN 62471), NOM-019

# Technical drawings



# Ordering information

## Ava Quad

PRODUCT ID	RESOLUTION	ONBOARD RETENTION
QUAD	4x 5MP	No. Cloud Connector required.
QUAD-20MP-30	4x 5MP	30 days

## Accessories

PRODUCT ID	RESOLUTION	COLOR
ACQ-REC-KIT	<a href="#">Recessed kit</a>	White
ACQ-PEN-HEA	<a href="#">Pendant head</a>	White
ACQ-PEN-PIP	<a href="#">Pendant pipe 40cm</a>	White
ACQ-WAL-MNT	<a href="#">Wall mount bracket</a>	White
ACQ-POL-MNT	<a href="#">Pole bracket</a>	White
ACQ-CRN-MNT	<a href="#">Corner bracket</a>	White
ACQ-MNT-ADA	<a href="#">Mounting adapter</a>	White