

## iDS-9600NXI-I8/X (C) DeepinMind Series NVR

### Key Feature

- H.265+/H.265/H.264+/H.264 video formats
- Intelligent analytics based on deep learning algorithm
- Up to 16-ch perimeter protection
- Up to 8-ch facial recognition for video stream, or up to 16-ch facial recognition for face picture
- Up to 8-ch video structuralization
- Up to 8-ch throwing objects from building
- Up to 16/32/64-ch IP cameras can be connected
- Up to 16-ch 1080p decoding capability



### Professional and Reliability

- H.265+ compression effectively reduces the storage space by up to 75%
- Dual-stream recording saves bandwidth
- Adopt stream over TLS encryption technology which provides more secure stream transmission service
- Support double verification for playback and downloading

### HD Video Output

- Provide independent HDMI and VGA outputs
- HDMI video output at up to 4K resolution

### Storage and Playback

- Up to 8 SATA interfaces for HDD connection
- Up to 16-ch synchronous playback

### Smart & POS Function

- Support multiple VCA (Video Content Analytics) events
- Configurable special camera smart functions, such as VCA detection (motion, line crossing, intrusion, etc.), heat map, ANPR (Automatic Number-Plate Recognition), and people counting
- POS information overlay on live view and playback, and POS triggered recording and alarm



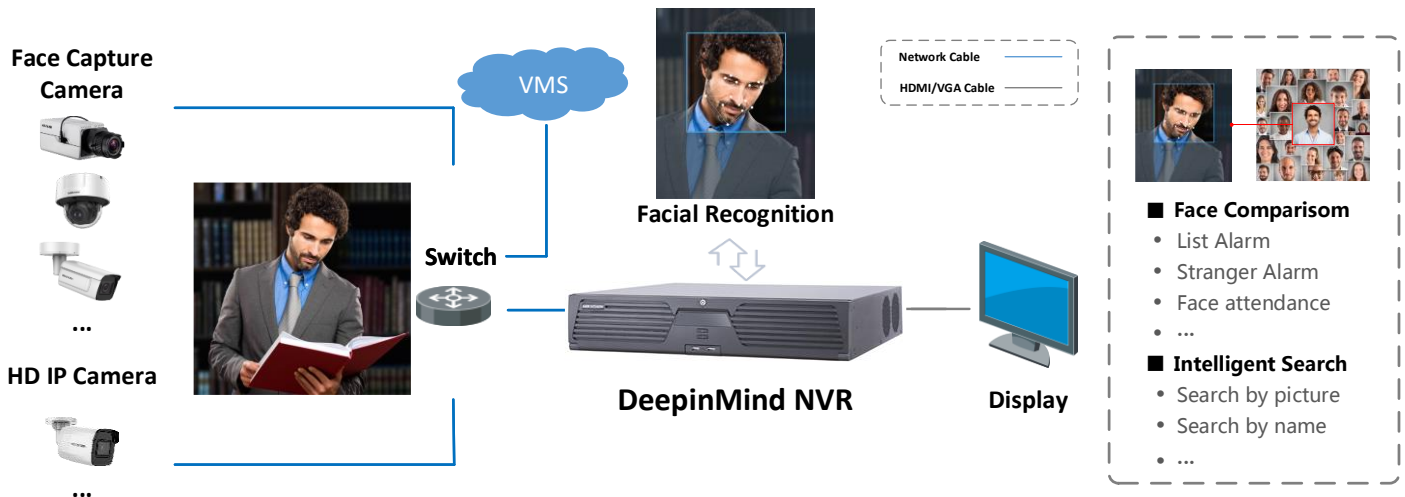
## Network & Ethernet Access

- 2 self-adaptive 10/100/1000 Mbps Ethernet interfaces
- Hik-Connect & DDNS (Dynamic Domain Name System) for easy network management
- Smooth streaming technology
- Support web access without plug-in

## Typical Application

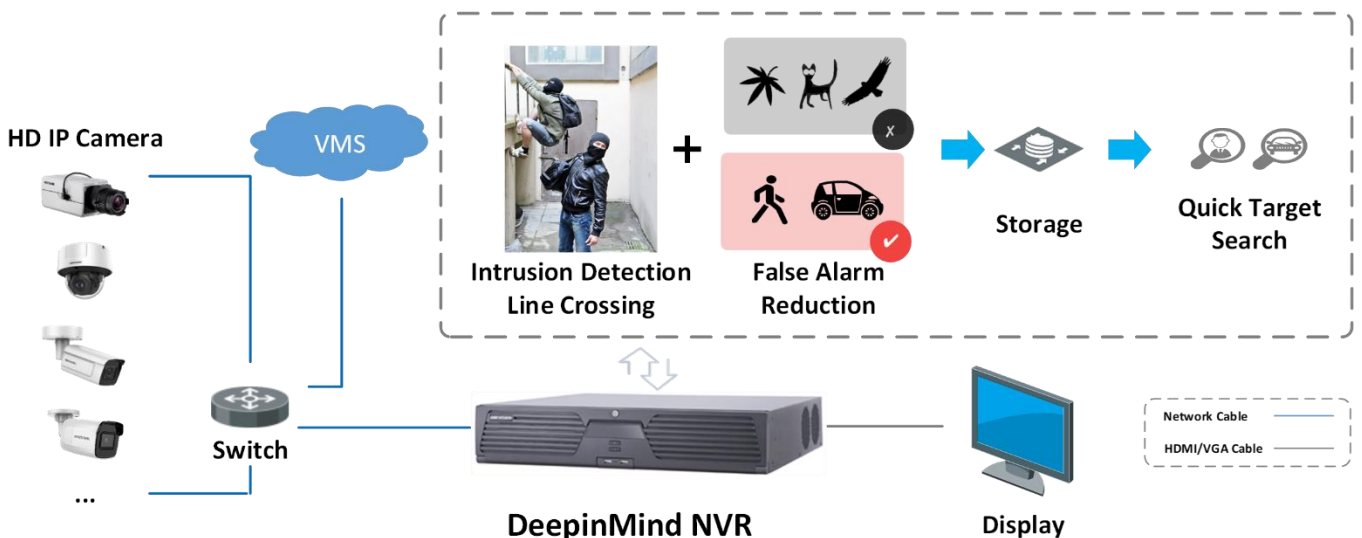
### Facial Recognition and Face Picture Comparison

Modeling and analyzing face pictures captured by cameras. Realize list alarm and stranger alarm via face picture library. Search target people by picture and name features.



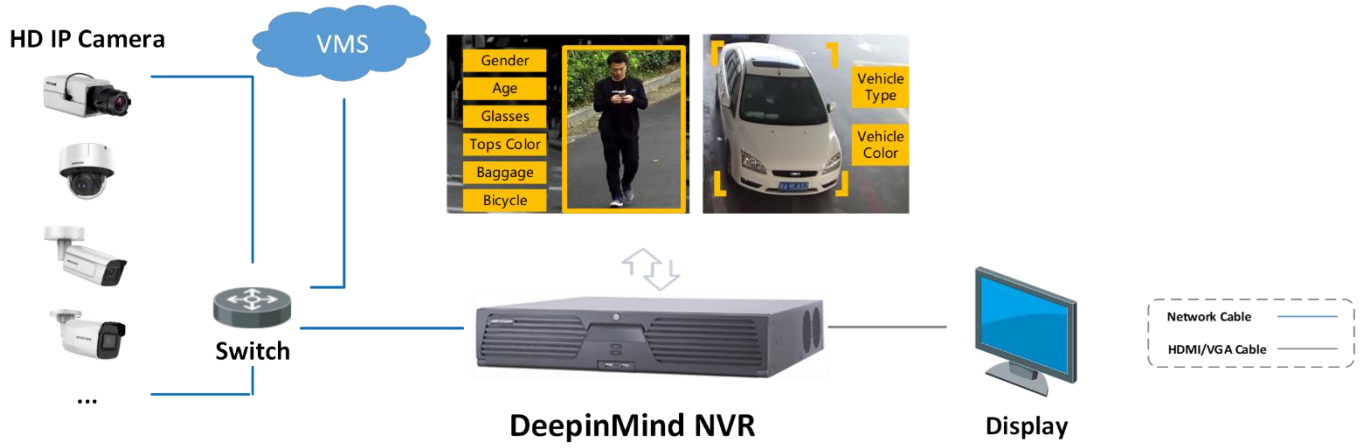
### Perimeter Protection

Adopt deep learning algorithm to reduce false alarm, effectively reduces the false alarm caused by tree branches, leaves, shadow, light, vehicles, small animals, etc.



## Video Structuralization

Extracting the face picture, human body and vehicle features from live videos, which is used for the tracking and retrieval of human and vehicles.



## Specification

Model	iDS-9616NXI-I8/X	iDS-9632NXI-I8/X	iDS-9664NXI-I8/X
<b>Facial Recognition<sup>1</sup></b>			
<b>Facial detection and analytics</b>	Face picture comparison, human face capture, face picture search		
<b>Face picture library</b>	Up to 32 face picture libraries, with up to 100,000 face pictures in total (each picture ≤ 4 MB, total capacity ≤ 20 GB)		
<b>Face picture comparison</b>	16-ch face picture comparison alarm		
<b>Performance of facial detection and analytics</b>	8-ch 8 MP human face capture (HD network camera, H.264/H.265)		
<b>Perimeter Protection<sup>1</sup></b>			
<b>False alarm reduction</b>	Up to 16-ch 4 MP (HD network camera, up to 8 MP, H.264/H.265) video analysis for human and vehicle recognition to reduce false alarm		
<b>Video Structuralization<sup>1</sup></b>			
<b>Structured analysis</b>	Up to 8-ch 2 MP (HD network camera, up to 8 MP, H.264/H.265) live video structuralization analysis		
<b>Face picture library</b>	Up to 32 face picture libraries, with up to 100,000 face pictures in total		
<b>Face picture comparison</b>	8-ch face picture comparison alarm		
<b>Throwing Objects from Building<sup>1</sup></b>			
<b>Capability</b>	Up to 8-ch 2 MP (H.264/H.265) video analysis		
<b>Video and Audio</b>			
<b>IP video input</b>	16-ch	32-ch	64-ch
	Up to 12 MP resolution *: 32 MP and 24 MP is only available for channel 1 when ultra HD resolution mode is enabled.		
<b>Incoming/outgoing bandwidth</b>	256 Mbps/256 Mbps	320 Mbps/256 Mbps	
<b>Incoming/outgoing bandwidth (RAID mode)</b>	200 Mbps/200 Mbps		
<b>HDMI1 output</b>	1-ch, 4K (3840 × 2160)/60Hz, 4K (3840 × 2160)/30Hz, 2K (2560 × 1440)/60Hz, 1920 × 1080/60Hz, 1600 × 1200/60Hz, 1280 × 1024/60Hz, 1280 × 720/60Hz, 1024 × 768/60Hz		
<b>HDMI2 output</b>	1-ch, 1920 × 1080/60Hz, 1280 × 1024/60Hz, 1280 × 720/60Hz, 1024 × 768/60Hz		
<b>VGA1 output</b>	1-ch, 1920 × 1080/60Hz, 1280 × 1024/60Hz, 1280 × 720/60Hz, 1024 × 768/60Hz		
<b>VGA2 output</b>	1-ch, 1920 × 1080/60Hz, 1280 × 1024/60Hz, 1280 × 720/60Hz, 1024 × 768/60Hz		
<b>Video output mode</b>	HDMI1/VGA1 simultaneous output, HDMI2/VGA2 simultaneous output		
<b>CVBS output</b>	N/A		
<b>Audio output</b>	2-ch, RCA (Linear, 1 KΩ)		
<b>Two-way audio input</b>	1-ch, RCA (2.0 Vp-p, 1 KΩ)		
<b>Decoding</b>			
<b>Decoding format</b>	H.265/H.265+/H.264/H.264+/MPEG4		
<b>Recording resolution</b>	32 MP/24 MP/12 MP/8 MP/6 MP/5 MP/4 MP/3 MP/1080p/UXGA/720p/VGA /4CIF/DCIF /2CIF/CIF/QCIF *: 32 MP and 24 MP is only available for channel 1 when ultra HD resolution mode		

	is enabled.
<b>Synchronous playback</b>	16-ch
<b>Capability</b>	1-ch@32 MP (30 fps)/16-ch@1080p (30 fps)
<b>Dual stream recording</b>	Support
<b>Stream type</b>	Video, Video & Audio
<b>Audio compression</b>	G.711ulaw/G.711alaw/G.722/G.726/MP2L2
<b>Network</b>	
<b>Remote connections</b>	128
<b>Network protocol</b>	TCP/IP, DHCP, IPv4, IPv6, DNS, DDNS, NTP, RTSP, SADP, SMTP, SNMP, NFS, iSCSI, ISUP, UPnP™, HTTP, HTTPS
<b>Network interface</b>	2, RJ-45 10/100/1000 Mbps self-adaptive Ethernet interface
<b>RAID</b>	
<b>RAID Type</b>	RAID0, RAID1, RAID5, RAID6, RAID10
<b>Auxiliary interface</b>	
<b>Serial port</b>	RS-232; RS-485; Keyboard
<b>SATA</b>	8 SATA interfaces
<b>Capacity</b>	Up to 10 TB capacity for each disk
<b>eSATA</b>	1 eSATA interface
<b>Alarm in/out</b>	16/8
<b>USB interface</b>	Front panel: 2 × USB 2.0; Rear panel: 1 × USB 3.0
<b>General</b>	
<b>Power supply</b>	100 to 240 VAC, 50 to 60 Hz
<b>Consumption (without HDD)</b>	≤ 70 W
<b>Working temperature</b>	-10 to +55° C (+14 to +131° F)
<b>Working humidity</b>	10% to 90%
<b>Dimension (W × D × H)</b>	445 × 465 × 92 mm (17.5"× 18.3" × 3.6")
<b>Weight (without HDD)</b>	≤ 10 kg (22 lb)
<b>Certification</b>	
<b>Obtained Certification</b>	FCC, CE, UL, CB, WEEE, BIS, IC, RCM, KC, LOA
<b>CE</b>	EN 55032:2015, EN 61000-3-2, EN 61000-3-3, EN 50130-4
<b>FCC</b>	Part 15 Subpart B, ANSI C63.4-2014

1: The device has four engine modes: facial recognition, perimeter protection, video structuralization, and throwing objects from building, among which no more two modes can be enabled at the same time. When two modes are enabled, capacity is as follows.

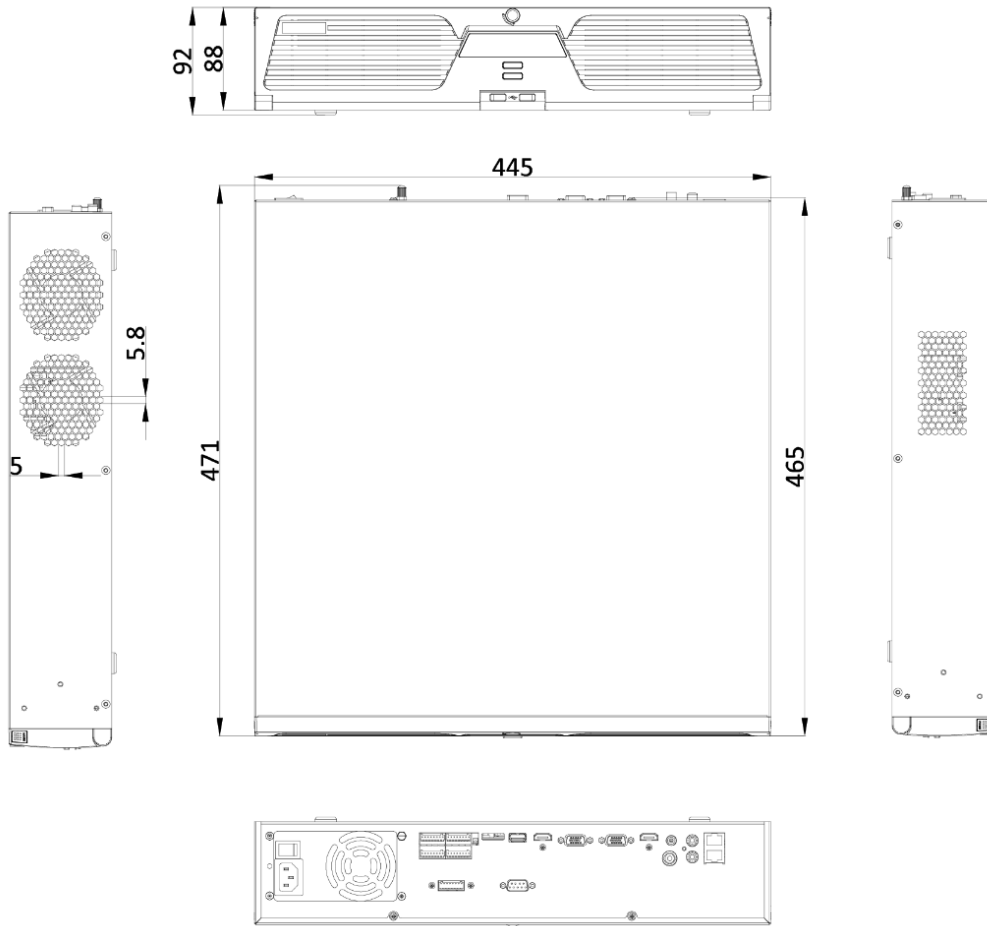
Perimeter protection: 8-ch

Video structuralization: 2-ch live video structuralization analysis and 4-ch face picture comparison alarm

Facial recognition: 4-ch face capture and 8-ch face picture comparison alarm

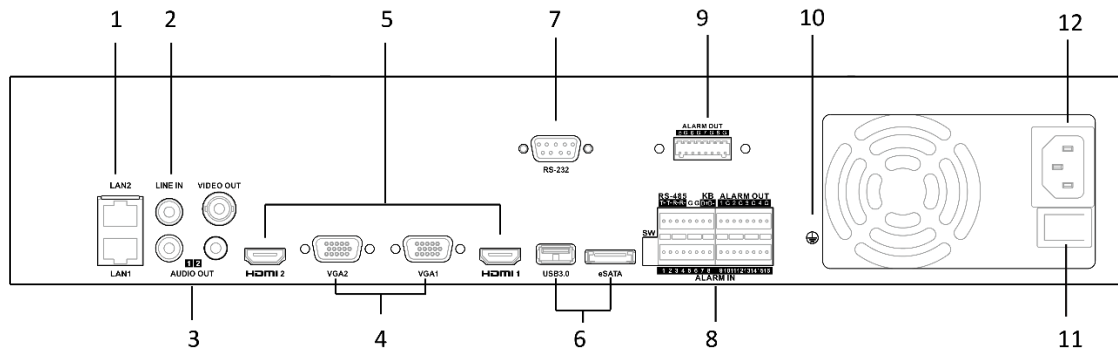
Throwing objects from building: 4-ch

# Dimension



scale/1:1;Unit/mm

## Physical Interface



No.	Description	No.	Description
1	LAN1/LAN2 Interface	7	RS-232 Interface
2	LINE IN	8	ALARM IN/OUT, RS-485, Keyboard
3	AUDIO OUT	9	ALARM OUT
4	VGA1/VGA2 Interface	10	GND
5	HDMI1/HDMI2 Interface	11	Power Switch
6	USB 3.0 and eSATA Interface	12	100 to 240 VAC Power Supply

## Available Model

iDS-9616NXI-I8/X (C), iDS-9632NXI-I8/X (C), iDS-9664NXI-I8/X (C)

Distributed by



### Headquarters

No.555 Qianmo Road, Binjiang District,  
Hangzhou 310051, China  
T +86-571-8807-5998  
overseasbusiness@hikvision.com

**Hikvision USA**  
T +1-909-895-0400  
sales.usa@hikvision.com

**Hikvision Australia**  
T +61-2-8599-4233  
salesau@hikvision.com

**Hikvision India**  
T +91-22-28469900  
sales@pramahikvision.com

**Hikvision Canada**  
T +1-866-200-6690  
sales.canada@hikvision.com

**Hikvision Thailand**  
T +662-275-9949  
sales.thailand@hikvision.com

**Hikvision Europe**  
T +31-23-5542770  
sales.eu@hikvision.com

**Hikvision Italy**  
T +39-0438-6902  
info.it@hikvision.com

**Hikvision Brazil**  
T +55 11 3318-0050  
Latam.support@hikvision.com

**Hikvision Turkey**  
T +90 [216]521 7070- 7074  
sales.tr@hikvision.com

**Hikvision Malaysia**  
T +601-7652-2413  
sales.my@hikvision.com

**Hikvision UK & Ireland**  
T +01628-902140  
sales.uk@hikvision.com

**Hikvision South Africa**  
Tel: +27 (10) 0351172  
sale.africa@hikvision.com

**Hikvision France**  
T +33(0)1-85-330-450  
info.fr@hikvision.com

**Hikvision Kazakhstan**  
T +7-727-9730667  
nikia.panfilov@hikvision.ru

**Hikvision Vietnam**  
T +84-974270888  
sales.vt@hikvision.com

**Hikvision UAE**  
T +971-4-4432090  
salesme@hikvision.com

**Hikvision Singapore**  
T +65-6684-4718  
sg@hikvision.com

**Hikvision Spain**  
T +34-91-737-16-55  
info.es@hikvision.com

**Hikvision Tashkent**  
T +99-87-1238-9438  
uzb@hikvision.ru

**Hikvision Hong Kong**  
T +852-2151-1761  
info.hk@hikvision.com

**Hikvision Russia**  
T +7-495-669-67-99  
saleru@hikvision.com

**Hikvision Korea**  
T +82-(0)31-731-8817  
sales.korea@hikvision.com

**Hikvision Poland**  
T +48-22-460-01-50  
info.pl@hikvision.com

**Hikvision Indonesia**  
T +62-21-2933759  
Sales.Indonesia@hikvision.com

**Hikvision Colombia**  
sales.colombia@hikvision.com

04601102020218